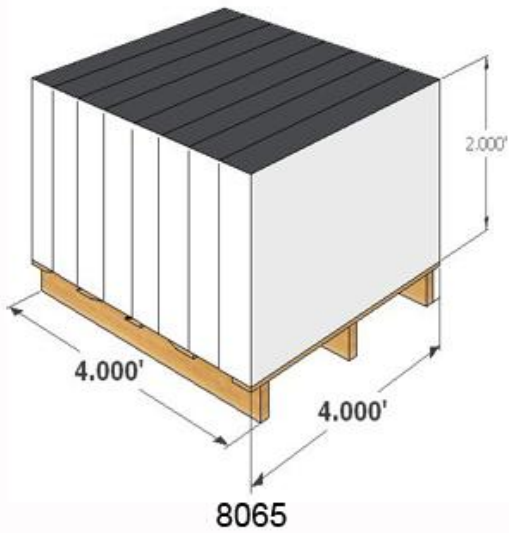


Item #	Description	Strength Class	Inches			mm			Profile	Units/Pallet	sq ft / Pallet	lb / Pallet
			W	H	L	W	H	L				
8065	Value Block - 6 x 48 x 24 (150x1220x610) - Plain (8/Pallets)	AC 4.4	6	48	24	150	1220	610	PL	8	64.0	1573
8045	Cored Value Block - 8 x 48 x 24 (200x1220x610) - Plain (6/Pallet)	AC 4.4	8	48	24	200	1220	610	PL	6	48.0	1580
8125	Value Block - 12 x 48 x 24 (300x1220x608) - Plain (4/Pallet)	AC 4.4	12	48	23.9	300	1220	608	PL	4	31.9	1567

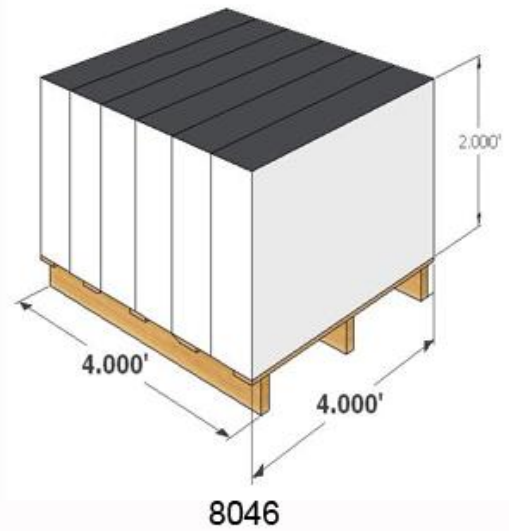
6"x48"x24"-----150mm x 1220mm x 610mm

8 pcs per pallet



8"x48"x24"-----200mm x 1220mm x 610mm

6 pcs per pallet



12"x48"x24"-----300mm x 1220mm x 610mm

4 pcs per pallet

