

AERCON FIRE SEPARATION WALL

Design No. U919

BXUV.U919

Fire Resistance Ratings

- ANSI/UL 263



4" x 24" x 24"
AERCON BLOCK

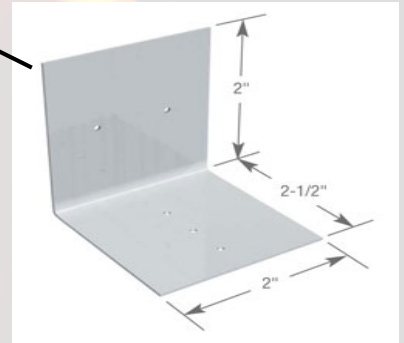
THIN BED MORTAR
AT ALL JOINTS

COURSE THREAD DECK
SCREW (optional)

INSULATION
(optional)

5/8" FIRESHIELD
GYPSUM BOARD
(optional)

ALUMINUM ANGLE
MELT-AWAY CLIP (optional)
LATERALLY ATTACHES
TO AAC AND WHICH
ALLOWS STUD WALL TO
BREAK AWAY ON ENGAGED
UNIT SIDE IN THE EVENT OF A FIRE



AERCON FLORIDA 3701 C.R.544 EAST
HAINES CITY FLORIDA 33844
PHONE: 863-422-6360
FAX: 863-863-6361

ClarkDietrich
aluminum breakaway clips
0.063 Clip meets requirements for
Legacy Report 92-19

AERCON - FIRE & SHAFT WALLS

- **Fire Walls**
 - Walls creating a Safe Passageway (Means of Egress) from building.
 - Interior separation walls between Tenant Spaces.
- **Shaft Walls**
 - Fire rated walls around mechanical & electrical floor openings.

AERCON - FIRE RATINGS

- **4 - Hour Fire Rated Walls**
 - UL Design No. U919
 - 4" (min) AAC Block - Non-Load Bearing Wall
 - 6" (min) AAC Block - Load Bearing Wall
- **Testing performed by Underwriter's Laboratories (UL)**
- **Determine Fire Rating in accordance with: UL 263 / ASTM E119 - Standard Test Methods for Fire Tests of Building Construction and Materials**

AERCON - BENEFITS

- **Non-Combustible**
- **No toxic fumes ever emitted**
- **Outstanding fire rated construction**



AERCON FLORIDA 3701 C.R.544 EAST
HAINES CITY FLORIDA 33844
PHONE: 863-422-6360
FAX: 863-863-6361