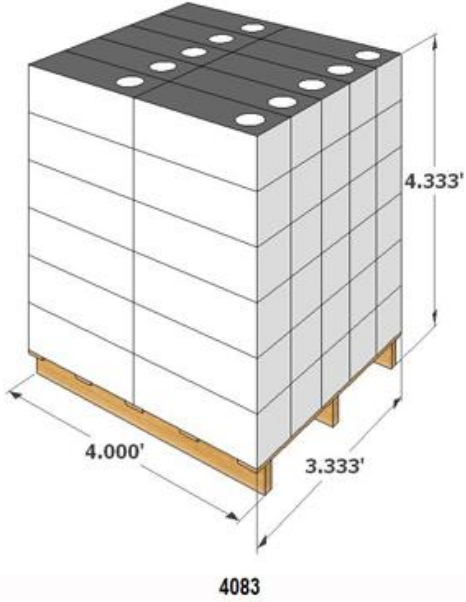
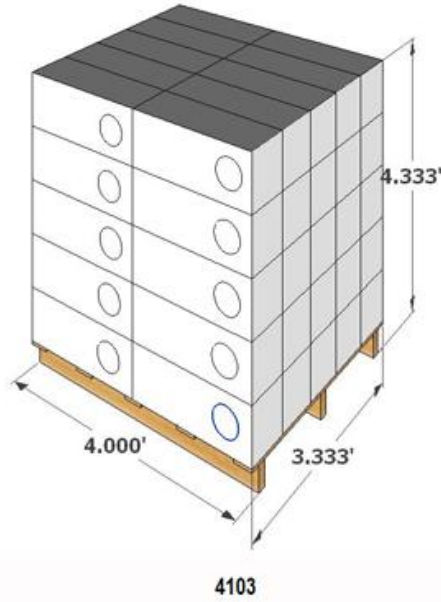


Item #	Description	Strength Class	Inches			mm			Profile	Units/Pallet	sq ft/Pallet	lb/Pallet
			W	H	L	W	H	L				
4083	Cored Block - 8 x 8 x 24 (200x200x608) - Plain (60/Pallet)	AC 4	7.9	7.9	23.9	200	200	608	PL-C	60	78.7	2590
6083	Cored Block - 8 x 8 x 24 (200x200x608) - Plain (60/Pallet)	AC 6	7.9	7.9	23.9	200	200	608	PL-C	60	78.7	2900
4103	Cored Block - 10 x 8 x 24 (240x200x608) - Plain (50/Pallet)	AC 4	9.4	7.9	23.9	240	200	608	PL-C	50	65.6	2568
6103	Cored Block - 10 x 8 x 24 (240x200x608) - Plain (50/Pallet)	AC 6	9.4	7.9	23.9	240	200	608	PL-C	50	65.6	2876
4123	Cored Block - 12 x 8 x 24 (300x200x608) - Plain (40/Pallet)	AC 4	11.8	7.9	23.9	300	200	608	PL-C	40	52.4	2579
6123	Cored Block - 12 x 8 x 24 (300x200x608) - Plain (40/Pallet)	AC 6	11.8	7.9	23.9	300	200	608	PL-C	40	52.4	2888

8"x8"x24"-----200mm x 200mm x 608mm
60 pcs per pallet



10"x8"x24"-----240mm x 200mm x 608mm
50 pcs per pallet



12"x8"x24"-----300mm x 200mm x 608mm
40 pcs per pallet

